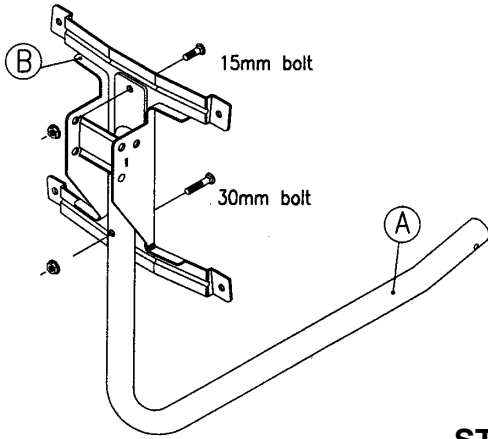


SATELLITE ANTENNA ASSEMBLY INSTRUCTIONS

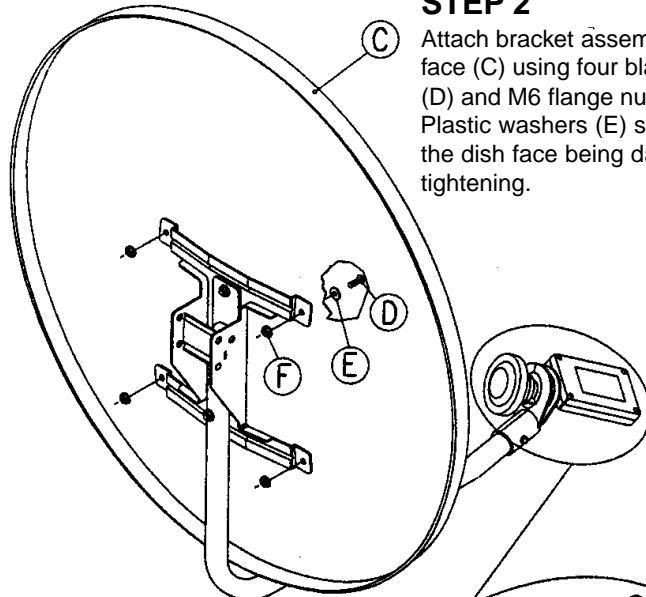
STEP 1

Assemble feed arm (A) to back bracket (B) using two M6 square neck coach bolts and M6 flange nuts.



STEP 2

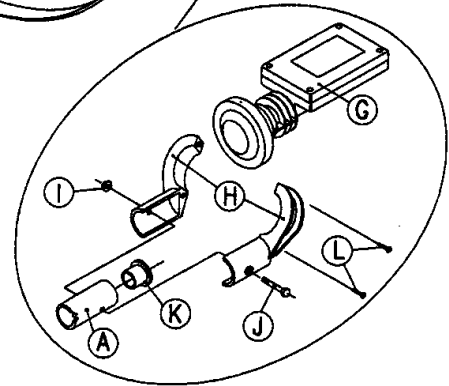
Attach bracket assembly to rear of dish face (C) using four black M6 screws (D) and M6 flange nuts (F). Plastic washers (E) supplied to prevent the dish face being damaged during tightening.



Please note, that LNB "G" is sold separately

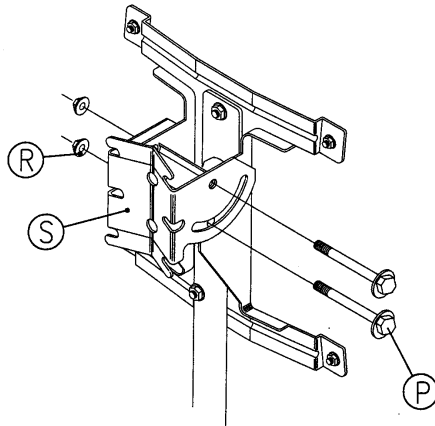
STEP 3

Assemble plastic plug (K) to the end of the feed arm. Assemble the LNB (G) to the end of the feed arm (A) using the plastic clamp halves (H) and one M6 nut (I) and bolt (J). Assemble and tighten two PK screws (L) to the plastic clamp to secure the LNB.



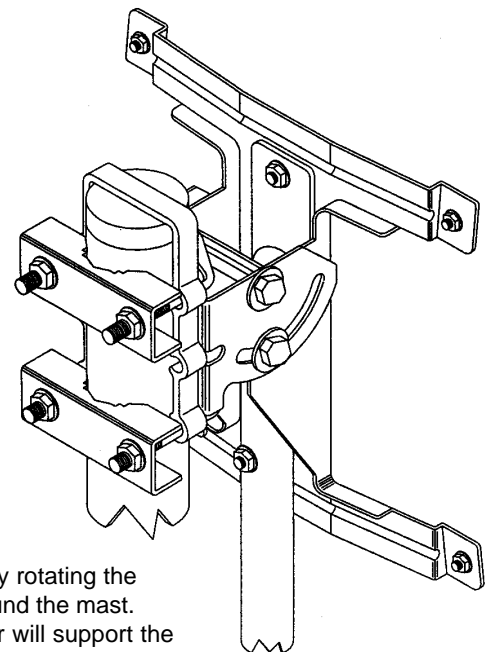
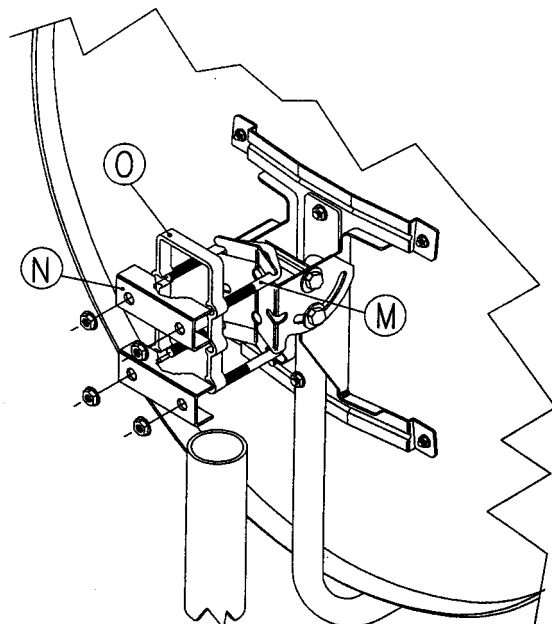
STEP 4

Assemble elevation bracket (S) to back bracket using two M8 bolts (P), and flanged nuts (R) as shown.



STEP 5

Attach fully assembled antenna to the pole (up to 50mm Dia.) using the 2 U-bolts (M), the plastic hanger (O), and serrated clamps.



STEP 6

Set the azimuth angle by rotating the complete assembly around the mast. The black plastic hanger will support the weight of the assembly.

The elevation of the dish is adjusted by sliding the lock bolt through the arc created by the curved slot. Rotate the LNB in its clamp to set the correct skew angle.

Once optimum reception is achieved tighten all fasteners.