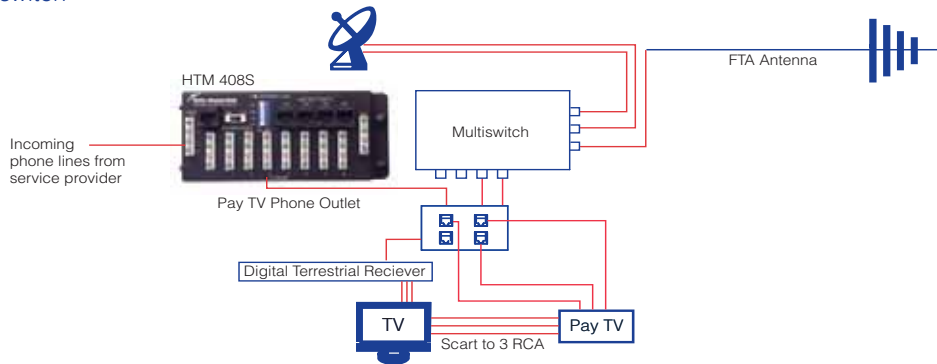




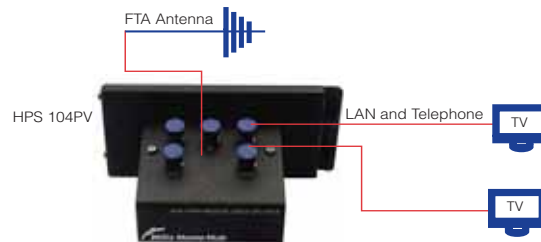
4. Video Modules

The video distribution modules cater for a broad range of services including CATV, FTA Antenna TV, Satellite and Pay TV services. Modulators allow multi-room broadcast of your DVD, VCR, Pay TV and cameras from a single location to your entire distribution network, which can be controlled from any remote location.

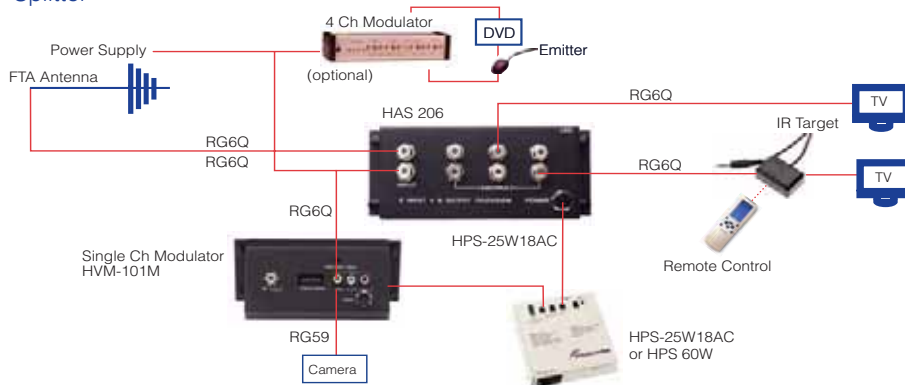
Multiswitch



Passive Splitter



Active Splitter



4 Location Passive Splitter

Features

- ▶ Passive video splitter module used to route Free-to-Air, CATV, modulator and satellite signals to multiple locations
- ▶ Vertical mounting
- ▶ Suitable for 600 series, 1000 series hub and 400 series surface mount hub only
- ▶ Digital TV compatible

Specifications

Dimensions: 102mmH x 159mmW x 100mmD
Colour: Hills Black
Input Frequency Range: 5MHz - 2300MHz

Ordering Information

S2126 HVS-104PV Passive Splitter - 1 IN 4 OUT



6 Location Active Video Splitter

Features

- ▶ 2 F-type connector inputs (one with DC power-pass) & 6 F-type connector active outputs
- ▶ Inputs are capable of accepting signals from Free-to-Air, CATV modulators and security cameras
- ▶ Digital TV compatible

Specifications

Dimensions: 72.5mmH x 165mmW x 25mmD
Frequency Range: 40MHz - 1000MHz
Max. Input Level: 83dBuV
RF Output level: 100dBuV
Output Gain: ≥ 7 dB
RF Return Loss: ≥ 10 dB
Power: 12V DC @ 500mA

Ordering Information

S2707 HAS-206 Active Video Splitter - 2 IN 6 OUT



Installing the 4 Location Passive Splitter

This Hills Home Hub® Passive Video Splitter Module is used to route the antenna signal, Satellite TV or Cable TV to multiple locations. The Hills Home Hub® HVS-306AIR Active Splitter Video Amplifier Module may be required when the RF signal must travel over longer cable distances. To install the module, simply insert tabs to the cap located on the rail of the enclosure. Press the fastener to lock the module at the desired position. (see Fig. 1)

Operation

Use only RG-6Q Quad shield Coax cable. A video source is connected to the "IN" port located in the center of the splitter. OUTPUT ports can route the input RF signal to up to four locations. It is recommended that unused output ports should be capped with 75ohm terminator. (see Fig. 2)

Fig 1

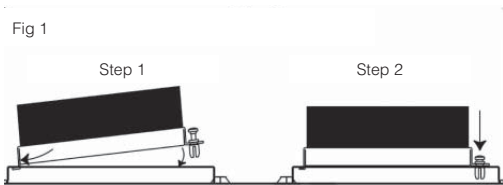
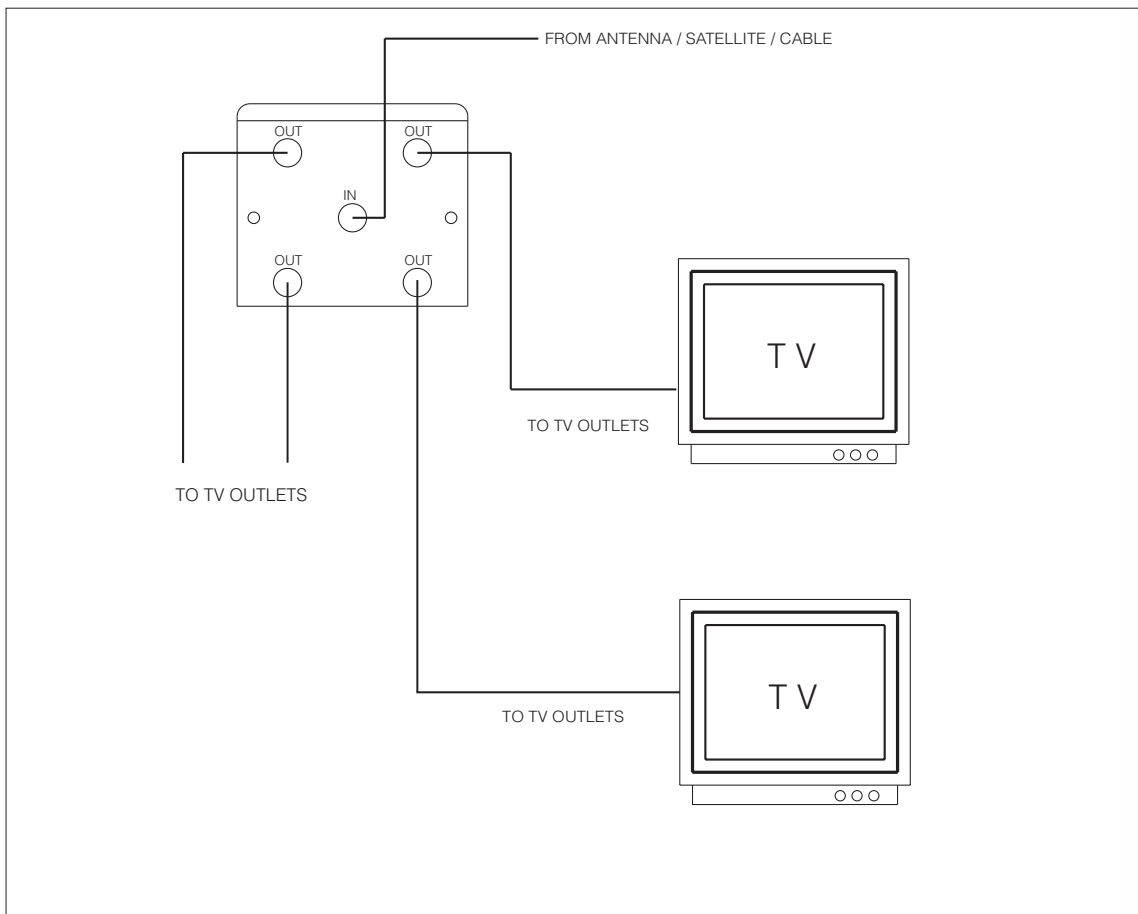


Fig 2



Installing the 6 Location Active Splitter and the Single Channel Video Modulator

To install the modules, simply insert tabs to the cap coated on the rail of the enclosure. Press the fastener to lock the module at the desired position. Refer to Fig 1.

Refer to Fig 2 for wiring diagram.

Fig 1



Fig 2

