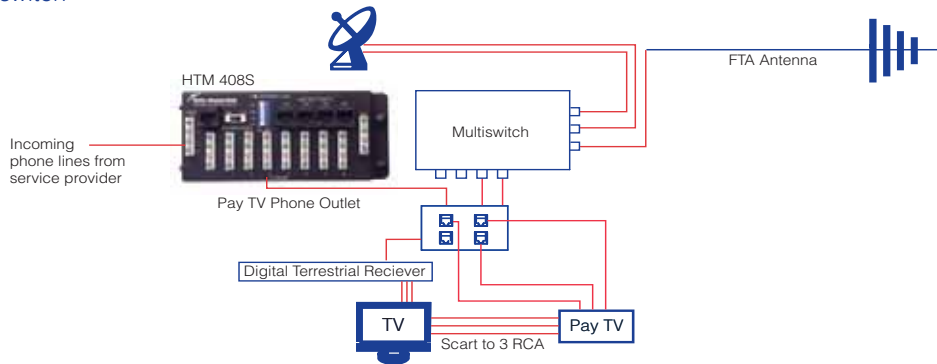




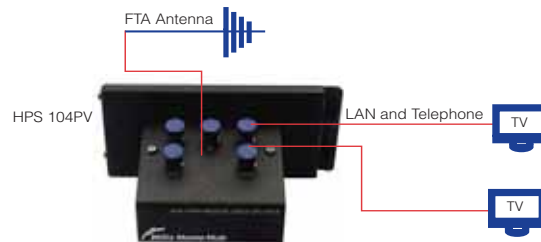
## 4. Video Modules

The video distribution modules cater for a broad range of services including CATV, FTA Antenna TV, Satellite and Pay TV services. Modulators allow multi-room broadcast of your DVD, VCR, Pay TV and cameras from a single location to your entire distribution network, which can be controlled from any remote location.

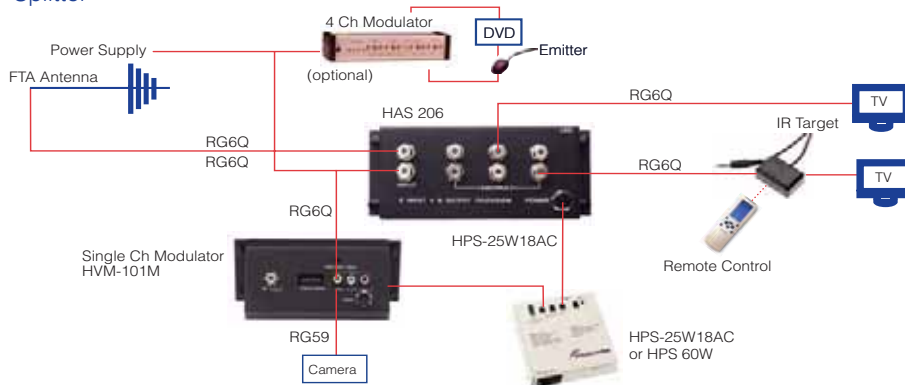
### Multiswitch



### Passive Splitter



### Active Splitter



## 4 Location Passive Splitter

### Features

- ▶ Passive video splitter module used to route Free-to-Air, CATV, modulator and satellite signals to multiple locations
- ▶ Vertical mounting
- ▶ Suitable for 600 series, 1000 series hub and 400 series surface mount hub only
- ▶ Digital TV compatible

### Specifications

Dimensions: 102mmH x 159mmW x 100mmD  
Colour: Hills Black  
Input Frequency Range: 5MHz - 2300MHz

### Ordering Information

S2126 HVS-104PV Passive Splitter - 1 IN 4 OUT



## 6 Location Active Video Splitter

### Features

- ▶ 2 F-type connector inputs (one with DC power-pass) & 6 F-type connector active outputs
- ▶ Inputs are capable of accepting signals from Free-to-Air, CATV modulators and security cameras
- ▶ Digital TV compatible

### Specifications

Dimensions: 72.5mmH x 165mmW x 25mmD  
Frequency Range: 40MHz - 1000MHz  
Max. Input Level: 83dBuV  
RF Output level: 100dBuV  
Output Gain:  $\geq 7$ dB  
RF Return Loss:  $\geq 10$ dB  
Power: 12V DC @ 500mA

### Ordering Information

S2707 HAS-206 Active Video Splitter - 2 IN 6 OUT



# Installing the 4 Location Passive Splitter

This Hills Home Hub® Passive Video Splitter Module is used to route the antenna signal, Satellite TV or Cable TV to multiple locations. The Hills Home Hub® HVS-306AIR Active Splitter Video Amplifier Module may be required when the RF signal must travel over longer cable distances. To install the module, simply insert tabs to the cap located on the rail of the enclosure. Press the fastener to lock the module at the desired position. (see Fig. 1)

## Operation

Use only RG-6Q Quad shield Coax cable. A video source is connected to the "IN" port located in the center of the splitter. OUTPUT ports can route the input RF signal to up to four locations. It is recommended that unused output ports should be capped with 75ohm terminator. (see Fig. 2)

Fig 1

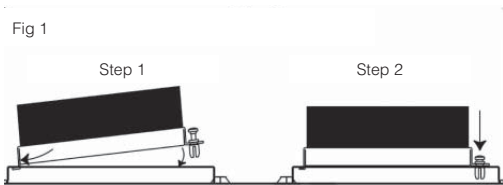
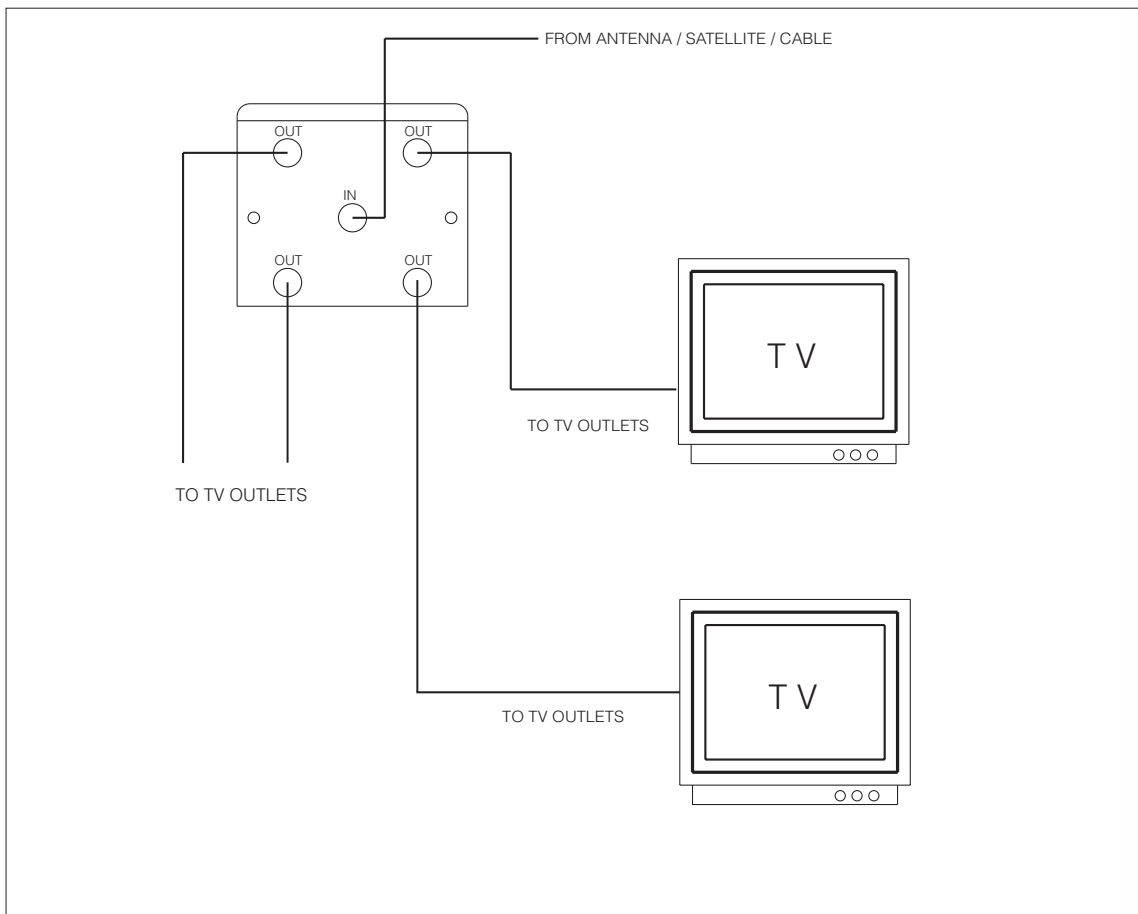


Fig 2



## Installing the 6 Location Active Splitter and the Single Channel Video Modulator

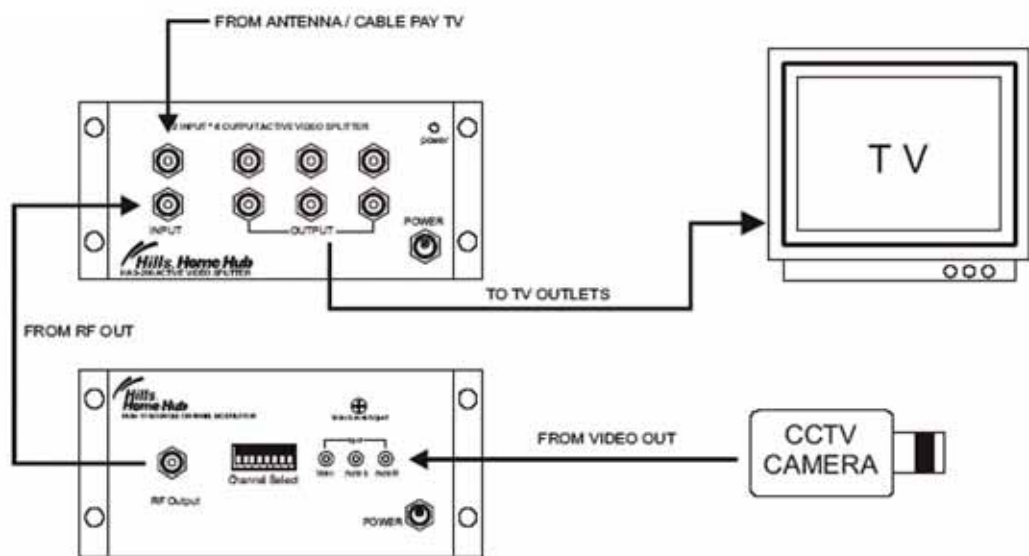
To install the modules, simply insert tabs to the cap coated on the rail of the enclosure. Press the fastener to lock the module at the desired position. Refer to Fig 1.

Refer to Fig 2 for wiring diagram.

Fig 1



Fig 2



## 6 Location Active RF Splitter With IR

### Features

- 3 F-type connector inputs (with one DC power-pass) & 6 F-type connector active outputs
- F-type inputs are capable of accepting signals from Free-to-Air, CATV modulators and security cameras
- Infrared remote control return path
- Digital TV compatible

### Specifications

Dimensions: 75mmH x 150mmW x 161mmD  
Input Frequency Range: 40MHz - 860MHz  
Gain: 12dB FTA input port  
9dB CATV and auxiliary port  
Input / Output Impedance: 75W  
Return Loss: > 15dB typ.  
Port to Port Isolation: > 15dB  
Maximum Output Level: 100dBuV(DIN 45004, IM52dB; each port)  
Power: 12V DC @ 500mA

### Ordering Information

S3437 Active Splitter - 3 IN x 6 OUT with IR



## Single Channel Video Modulator

### Features

- PAL TV modulation
- Ideal for use with VCR's, DVD players and security cameras
- Connector for TV signal
- RCA connectors for audio and video signals
- Mono audio modulation

### Specifications

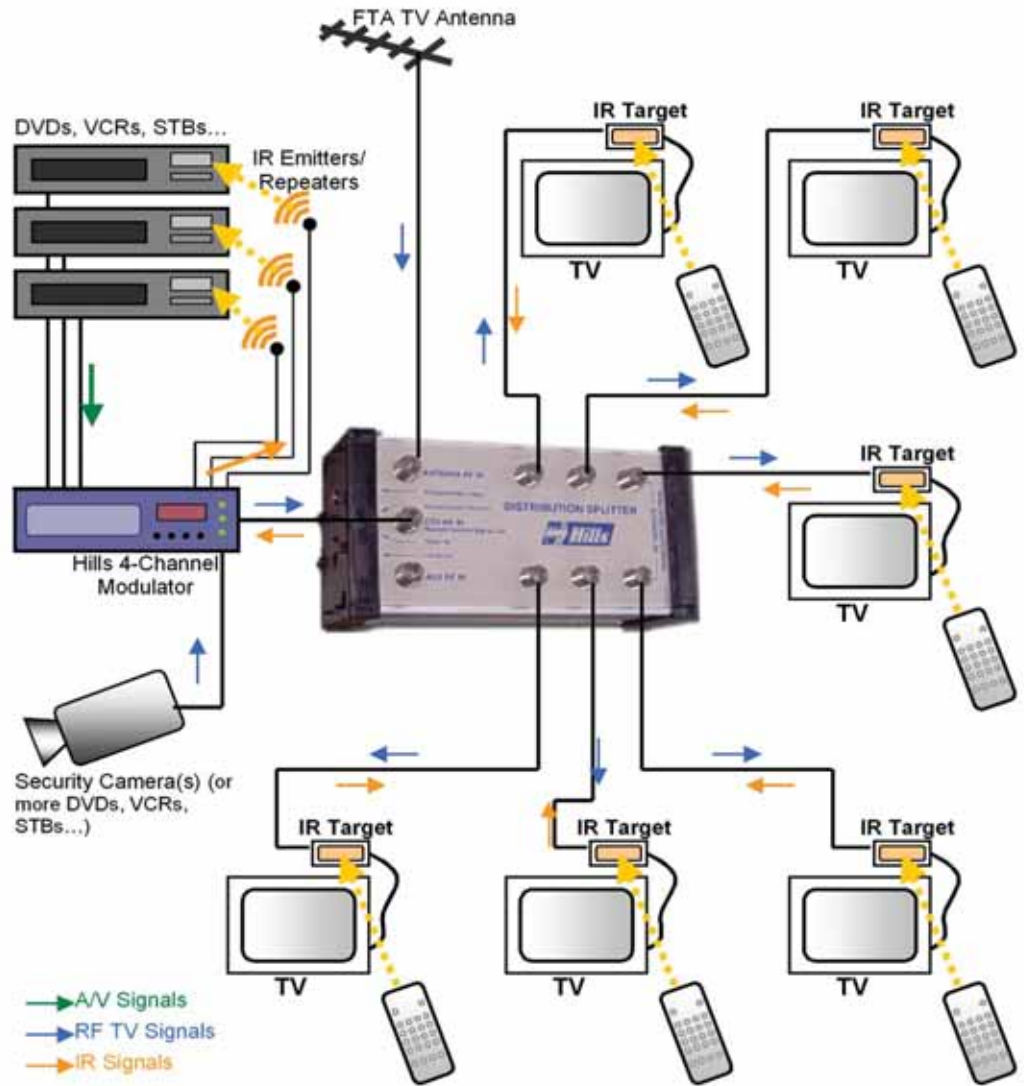
Dimensions: 76mmH x 165mmW x 59mmD  
Input Frequency Range: 470MHz - 825MHz  
RF Output Level:  $\geq 68$ dBuV  
Audio Modulation: Mono  
Power: 12V DC @ 500mA

### Ordering Information

S2708 HVM-101M Single Channel Video Modulator



## Installing the 6 Location Active RF Splitter With IR



# 4 Channel Video Modulator

## Features

- ▶ PAL TV modulation
- ▶ Ideal for use with VCR's, DVD players and security cameras
- ▶ Up to 8 IR emitters
- ▶ F type connector output for TV signal
- ▶ 4 sets of 3 x RCA connectors for audio and video signals
- ▶ Mono audio modulation
- ▶ Plug pack supplied

## Specifications

Dimensions: 49mmH x 268mmW x 75mmD  
Input Frequency Range: 520MHz - 820MHz (CH27 - CH69),  
Each channel independently programmable  
Output Level: 75dBuV  
Input / Output Impedance: 75W  
Return Loss: > 12dB typ.  
Power: 12V DC @ 500mA

## Ordering Information

HI2014 4 Channel Video Modulator



Front



Back



## Installing the 4 Channel Video Modulator

