

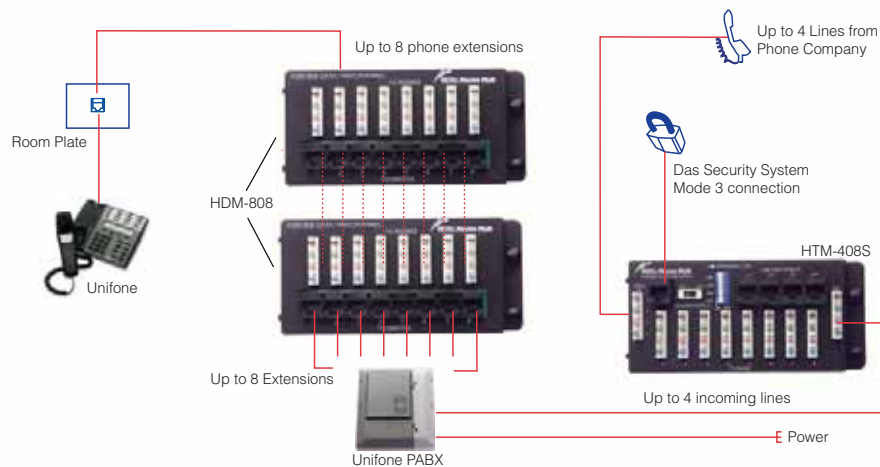


3. Data and Phone Modules

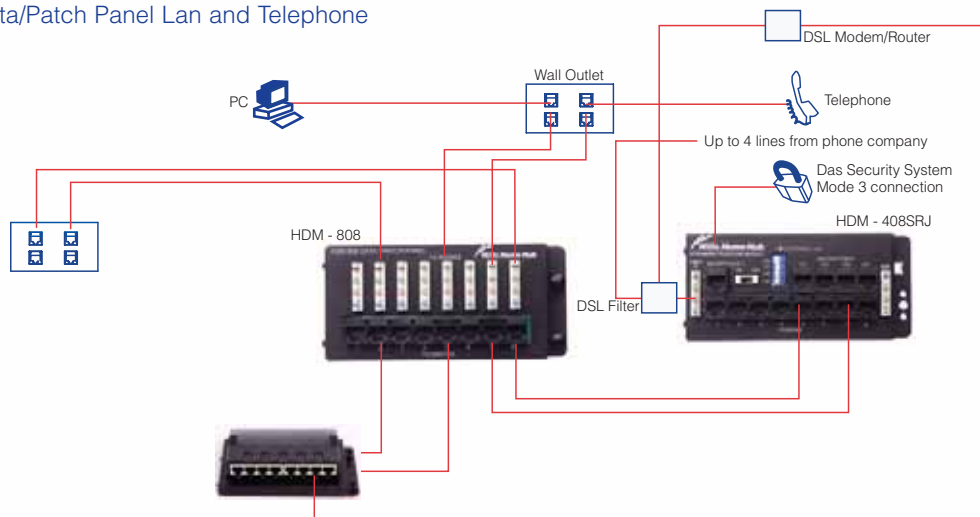
The Hills Telephone Module series replaces two-pair telephone wire with current commercial-grade Category 5e cable, designed to meet the demands of telecom distribution of voice, fax, modem and other digital telephone services such as ISDN or DSL. Each HTM module supports up to 4 phone lines. Output connections are via RJ-45 plug or punch down twisted pair.

Companies have long enjoyed the benefits of sharing resources and improving communications by networking computers and peripherals together. The Hills Data Module puts this technology into the home. Families can now share an ultra-high speed internet connection such as cable modem, DSL or ISDN. The HDM patch panel connects to the Ethernet hub to activate the network.

Data/Patch Panel Phone System Unifone



Data/Patch Panel Lan and Telephone



8 Port Patch Panel

Features

- ▶ Provides a network interface for LAN and telephone applications
- ▶ Supports Cat 5E
- ▶ 8 patch connection points

Specifications

Dimensions: 75mmH x 159mmW x 22mmD
Colour: Hills Black
Performance tested to Cat 5e specifications: Yes

Ordering Information

S2119 HDM-808 8 Port Computer Patch Panel



Ethernet Switch

Features

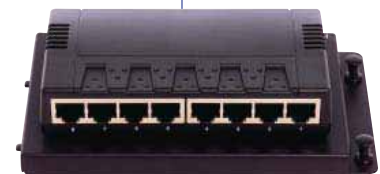
- ▶ 8 port 10/100 Ethernet switch
- ▶ Designed to provide network services for a small Local Area Network
- ▶ Compatible for connecting computer networks and Ethernet-based broadband internet services
- ▶ Power Supply included

Specifications

Dimensions: 102mmH x 159mmW x 30mmD
Colour: Hills Black
Auto-sensing: Yes
Standards Compliance: 10/100 Base T, IEEE 802.3, IEEE 802.3u
Operating Voltage: 12V DC

Ordering Information

S2240 HES-108 8 Port Ethernet Switch



Installing the 8 Port Patch Panel & Ethernet Switch

To install the module, simply insert tabs to the cap located on the rail of the enclosure. Press the fastener to lock the module at the desired position. (see Fig. 1)

the other end to the HES-108 Ethernet Hub. (see Fig. 2)

Operation

Terminate the cables on the 4-pair 110/IDC connectors of this data/patch distribution module. Each Category 5e cable should be fully terminated on the contact blades. This module supports the TIA T568A wiring standard and is capable of connecting eight Category 5e cables. Identify which port you wish to activate and connect one end of a patch cord to the corresponding jack and

Wire installation

For the 110/IDC connector, follow the wire colour-code and only use the 110 punch-down tool to push the wire between the contact blades (see Fig. 3). For the RJ45 plug, follow the TIA T568A standard for wiring instructions (see Fig. 4). Patch Panel Module RJ-45 Jacks phone and data lines are wired according to the TIA T568A standard.

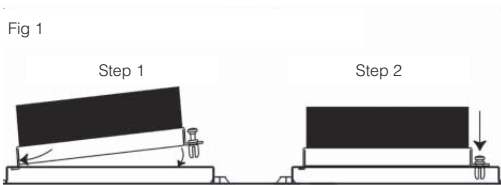


Fig 2

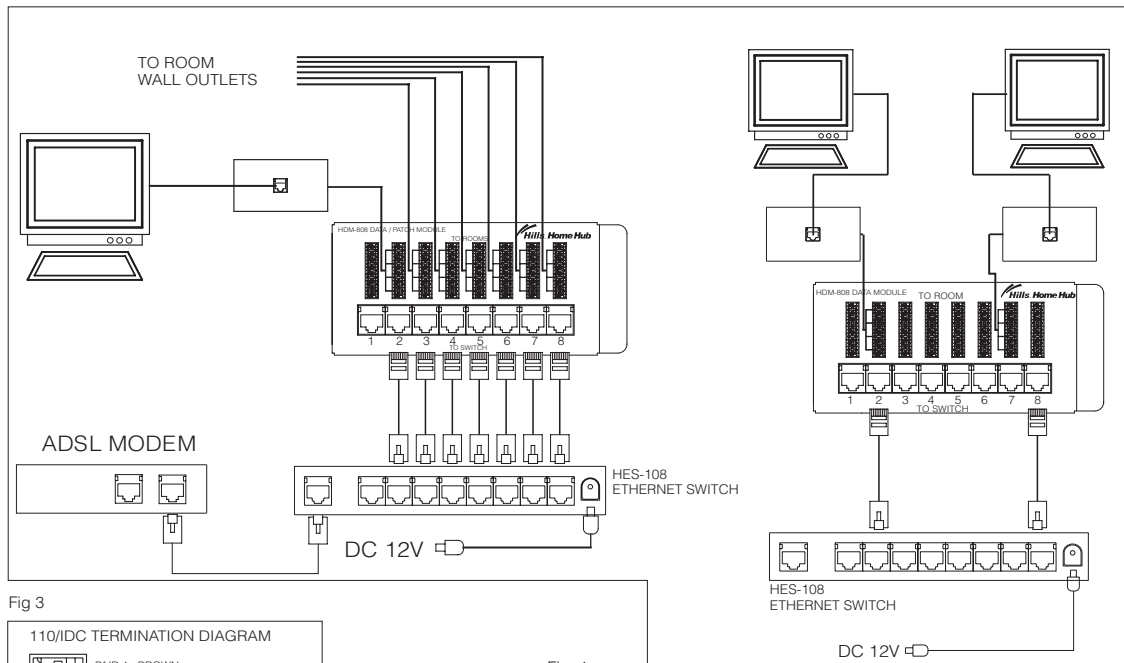


Fig 3

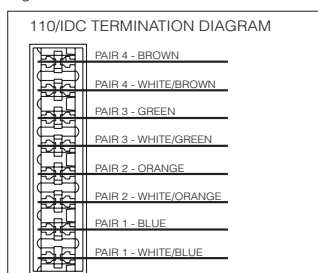
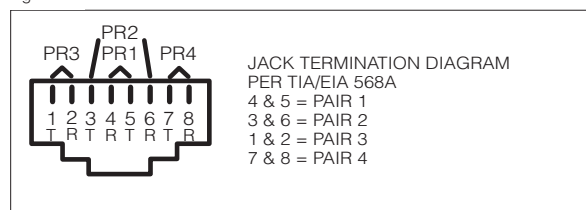


Fig 4



Patching Telephone Module

Features

- 4 telephone lines IN, 8 telephone locations OUT
- Built-in Security System Mode 3 connection
- Individual incoming line disconnection and test points
- 4 line expansion port
- Designed for telephone line patching
- 100 / Krone Compatible IDC Connectors for line input and expansion port output

Specifications

Dimensions: 75mmH x 159mmW x 22mmD
Colour: Hills Black
Performance tested to Cat 5 specifications: Yes

Ordering Information

S2463 HTM-408SRJ Patching Telephone Module



Punch Down Telephone Module

Features

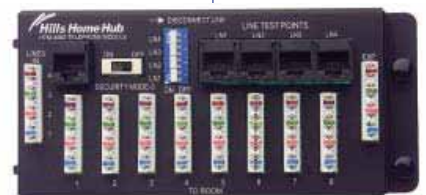
- 4 telephone lines IN, 8 telephone locations OUT
- Built-in Security System Mode 3 connection
- Individual incoming line disconnection and test points
- 4 line expansion port
- Designed for telephone line punching
- 100 / Krone Compatible IDC Connectors for line input and expansion port output

Specifications

Dimensions: 75mmH x 159mmW x 22mmD
Colour: Hills Black
Performance tested to Cat 5 specifications : Yes

Ordering Information

S2120 HTM-408S Punch Down Telephone Module



Installing the Patching Telephone Module

To install the module, simply insert tabs to the cap located on the rail of the enclosure. Press the fastener to lock the module at the desired position. (see Fig. 1)

Operation

The Hills Home Hub® Telephone Module has a RJ45 socket labelled "LINES IN" to support four incoming phone lines from the telephone company and distribute them up to eight rooms. Patch the twisted pairs to each line that is required at each room. Blue & Orange/White Orange) to the first 110/IDC connector to support a 2-line phone. Follow the same procedure for each subsequent Room.

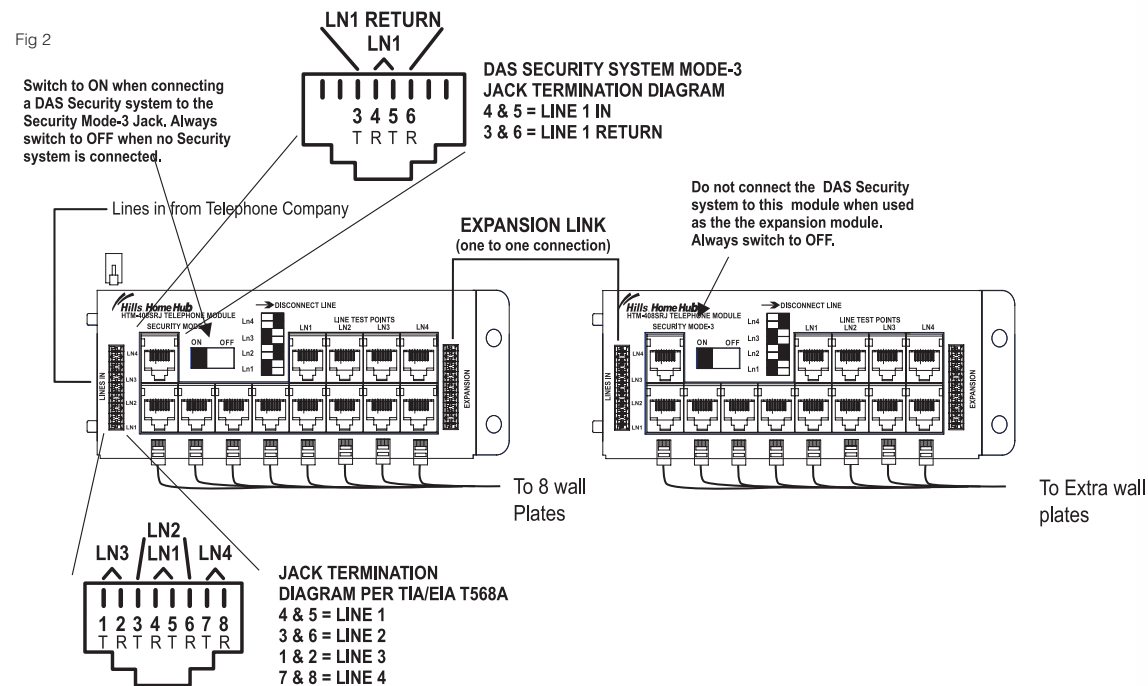
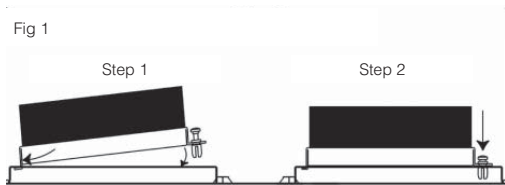
Note - Connect only one twisted pair of Cat5/Cat5e cable to each 110/IDC connector. (see Fig. 2)

Telephone Expansion

The RJ45 jack labelled "EXPANSION" is used to link another telephone distribution modules to support additional rooms.(see Fig 2)

Wire installation

For RJ-45 plug termination, follow the TIA -T568A standard for wiring instruction . (see Fig 2)



Installing the Punch Down Telephone Module

To install the module, simply insert tabs to the cap located on the rail of the enclosure. Press the fastener to lock the module at the desired position. (see Fig. 1)

Operation

The Hills Home Hub® Telephone Module has a 110/IDC punch-down connector labelled "LINES IN" to support four incoming phone lines from the telephone company and distribute them up to eight rooms. Punch down the twisted pairs to each line that is required at each room.

Example: Each 110/IDC connector represents one Room, if you want to activate line #1 at Room #1, simply punch down the twisted pair (Blue/White Blue) to the first IDC/110 connector. If you want to use a 2-line phone (Line#1 & Line#2) at Room #1, simply punch down twisted pairs (Blue/White Blue & Orange/White Orange) to the first 110/IDC

connector to support a 2-line phone. Follow the same procedure for each subsequent Room.

Note - Connect only one twisted pair of Cat5/Cat5e cable to each 110/IDC connector. (see Fig. 2)

Telephone Expansion

There is a 110/IDC connector labelled "EXPANSION" which is used to link another telephone distribution modules to support additional rooms. (see Fig 2)

Wire installation

For 110/IDC connector termination follow the wire colour-code and only use the 110 punch-down tool to push the wire between the contact blades. For RJ-45 plug termination, follow the TIA T568A standard for wiring instruction. (see Fig 2)

Fig 1

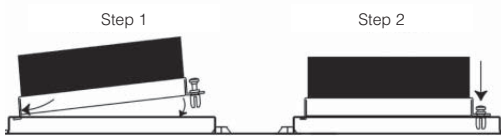


Fig 2

